



OSBORNE®

ACCU-ARM® Portable Scales

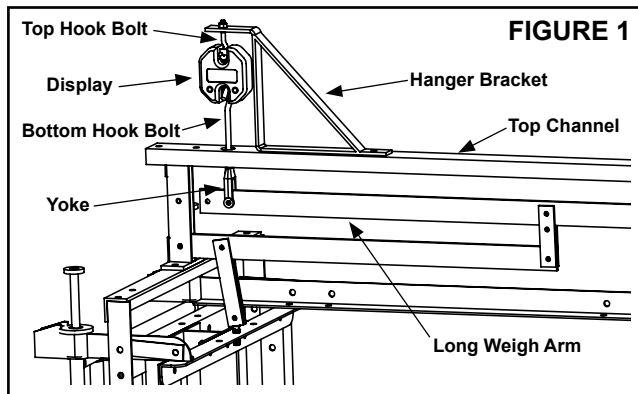
RLX-0822

Digital Display Installation Instructions

FS-00C100

INSTALLATION:

1. Mount the hanger bracket and top hook bolt as shown in Fig. 1.
2. Install the digital display by first hooking it to the bottom hook bolt. Then, lift the weigh arm to attach the display to the top hook bolt.
3. Adjust the top and bottom hook bolts until the long weigh arm and top channel are parallel.



Osborne Industries, Inc.

120 N. Industrial Ave., PO Box 388, Osborne, KS 67473
1-785-346-2192 or 1-800-255-0316 · osbornelivestockequipment.com

USE:

1. Install two (2) AAA batteries (not included) in the back of the display. Remove batteries from the display when not in use. Batteries require replacement when 'LO' is displayed on screen.
2. Press the red Power/Tare button to turn on the display.
3. Zero the display by pressing the red Power/Tare button at any time **with no animal on the scale platform.**
4. Press the blue Unit button to toggle between pounds and kilograms.
5. Press and hold the red Power/Tare button to turn off the display.

The C100 digital display includes three (3) functions that can be accessed by pressing and holding the blue Unit button for one (1) second:

- **AAF (Animal Average Function):** This is the default setting. AAF detects the presence of an animal on the scale and then collects weight data over five (5) seconds. The data is filtered and averaged and the average weight is displayed.
To re-weigh an animal while on the scale, press the red Power/Tare button while the previous average weight is shown on the display. After unloading the animal, press the red Power/Tare button to reset the display for the next animal.
- **dI_r (Direct Readout):** This setting reads the direct weight of the display. Maximum direct weight is 220 lbs./100 kg.
- **Sc_r (Scaled Readout):** This setting provides an instant readout for weighing with the scale.