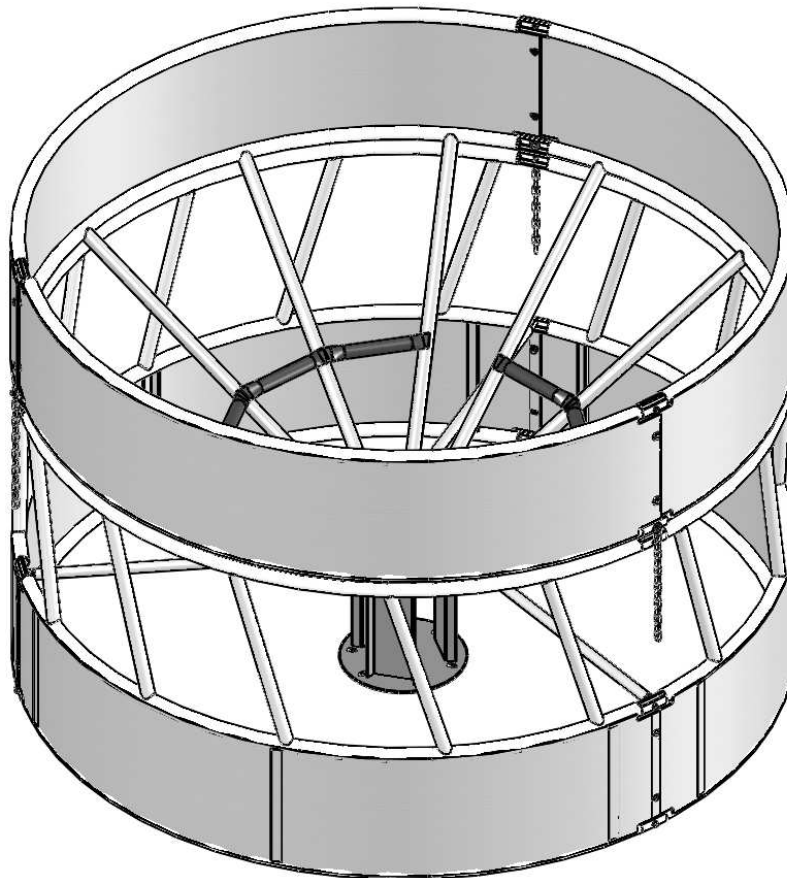


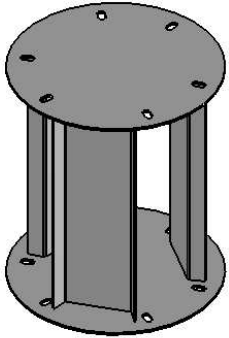
## 8' DIAMETER HAY MAX 3 SECTION HAY FEEDER

### SSC83HFM



Shown is a **SSC83HFM** Haymax feeder utilizing the hay saver cone insert assembly. **SIOUX STEEL** does not recommend the use of the cone insert assembly with any other feeder. The weight of the hay is entirely supported by the ground engaging center base of the cone insert assembly. The outer edge of the cone should not rest on the top tubes of the lower feeder assembly, as the feeder is not intended to support the weight of the hay. The chain connections and lateral support braces are to ensure the cone insert remains centered and to prevent tipping.

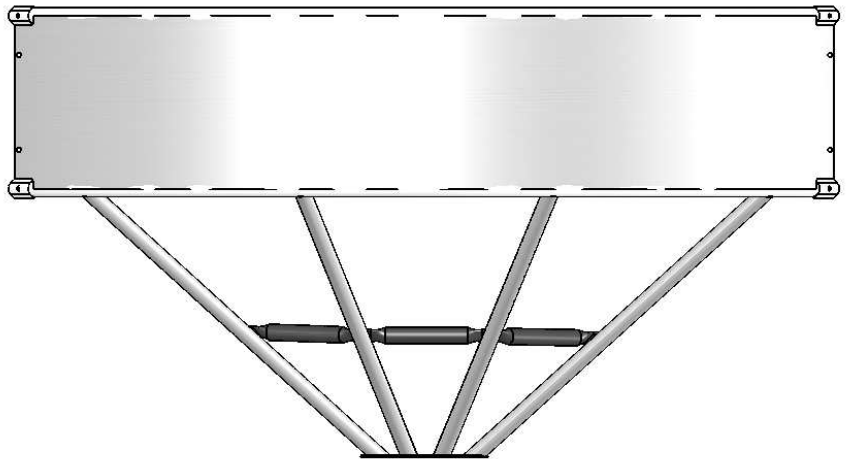
# HAY MAX FEEDER MAIN COMPONENTS



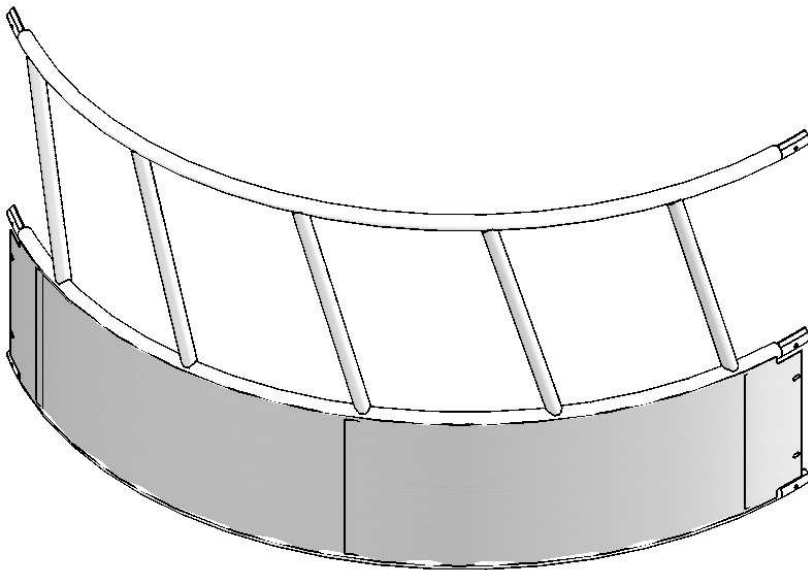
**175018 CONE BASE**  
SCALE 1:14  
Qty. (1)



**178129 CONE BRACE**  
SCALE 1:14  
Qty. (3)

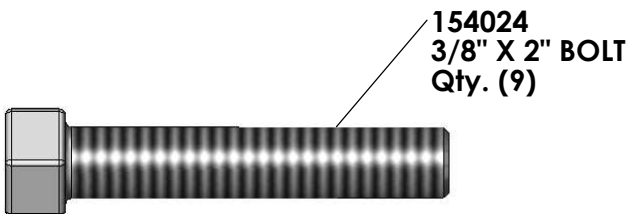
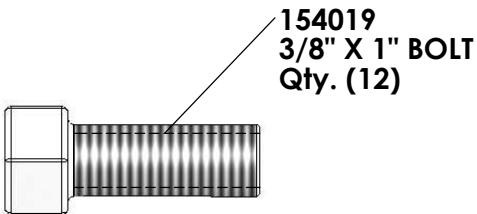
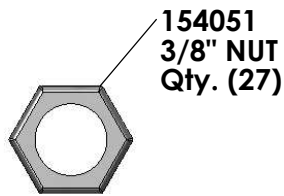
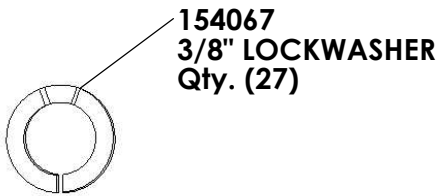
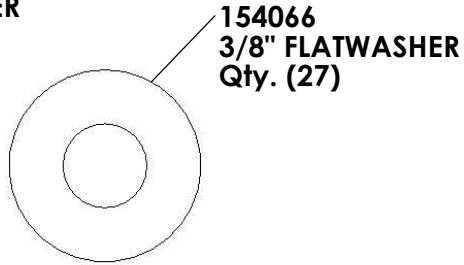
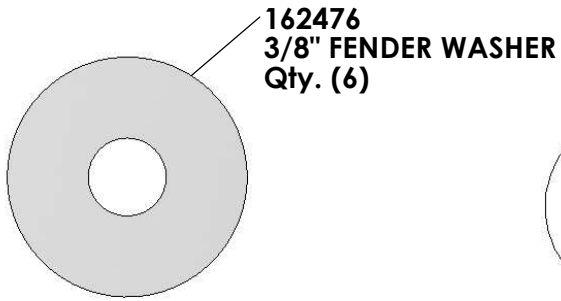


**175016 CONE FEEDER SECTION**  
SCALE 1:20  
Qty. (3)

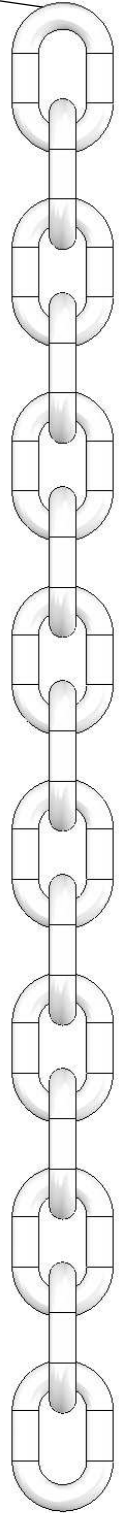


**162086 HAYFEEDER SECTION**  
SCALE 1:20  
Qty (3)

# HARDWARE



178131  
1/4" CHAIN  
Qty. (3)



# SSC83HFM

## 8' SIOUX HAYMAX 3 SECTION CONE FEEDER

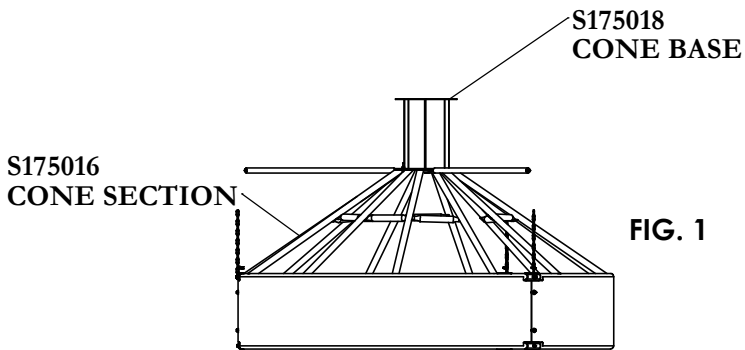


FIG. 1

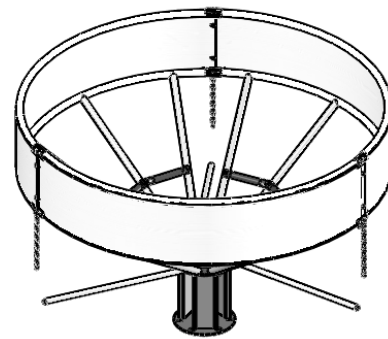


FIG. 2

### STEP # 1

Arrange the three sections [ S175016 ] as shown in Fig. 1 above. Set the base [ S175018 ] on top of the sections as shown. Bolt the base to the three sections using (6) each 3/8" x 2" bolts, - (12) each 3/8" flatwashers, - (6) each 3/8" lockwashers, - and (6) each 3/8" nuts. [HAND TIGHTEN NUTS.]

### STEP # 2

Bolt together the three sections of the cone insert. The top ring, and the skirt use (9) each 3/8" x 1" bolts, - (18) each 3/8" flatwashers, - (9) each 3/8" lockwashers, and (9) each 3/8" nuts. (HAND TIGHTEN NUTS)

### STEP # 3

For the bottom ring of the cone insert use (3) each 3/8" x 2" bolts, - (6) each 3/8" fender washers, - (3) each 3/8" lock washers, and (3) each 3/8" nuts. Insert the bolt through a fender washer and then through one end link of the chain [S178131], then through the top ring connection holes. This chain will later be used to wrap around the top tube of the hayfeeder to prevent tipping of the cone insert. (TIGHTEN ALL NUTS)

### STEP # 4

Carefully turn the assembly over so it stands on its base as shown in Fig. 2. Support the cone insert assembly to prevent tipping of the unit during final assembly.

### STEP # 5

Assemble three sections of [ S162086 ] Closed-bottom Hayfeeder around the cone insert assembly. Attach the three cone braces [ S178129 ] to the cone base using (3) each 3/8" flat washers, and (3) each 3/8" lockwashers, and (3) each 3/8" nuts onto 3 of the 2" bolts previously installed. Make sure you have located the braces 120 degrees from each other.

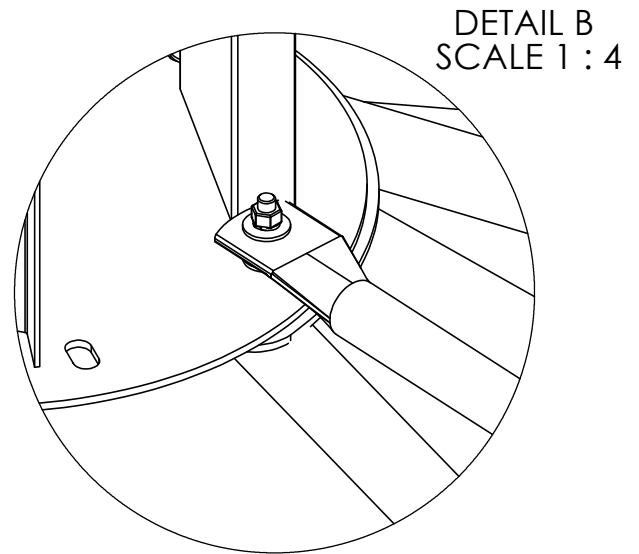
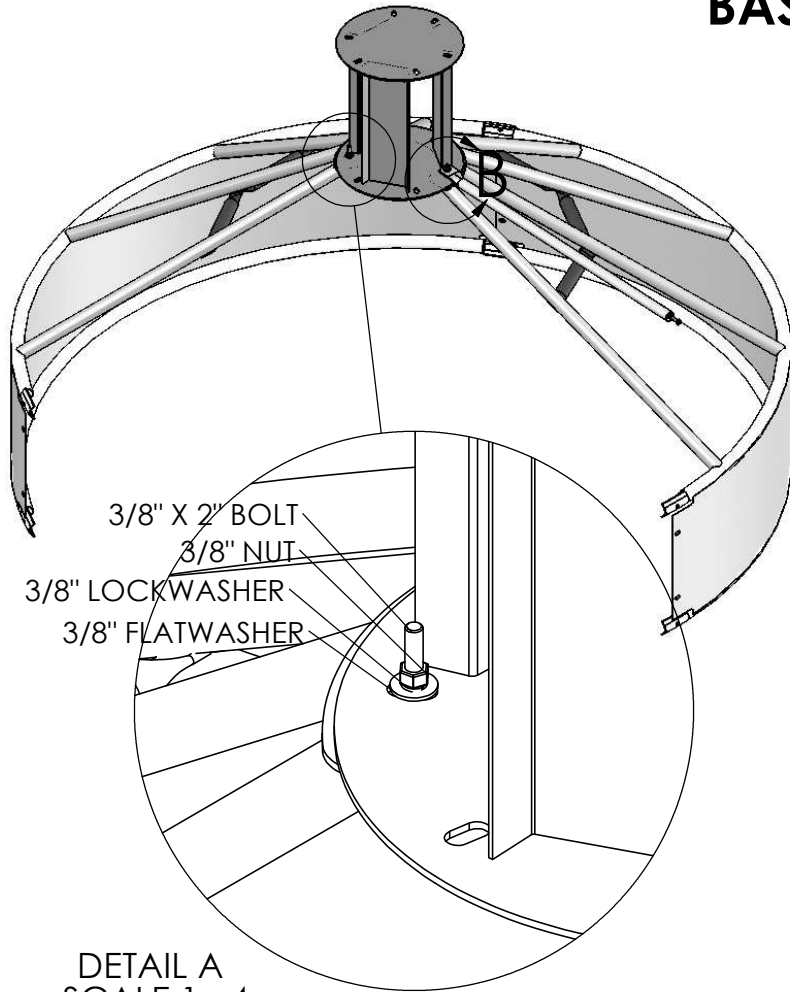
### STEP # 6

Turn the hayfeeder to align the joints of the feeder with the brace tubes. Use (3) each 3/8" x 1" bolts to thread through the middle ring of the closed bottom hayfeeder and into the nut on the end of the cone brace tube [ See detail "D" of assembly drawings ] Loop the free end of the chain snugly around the top tube of the hayfeeder and attach the closest link to the 3/8" x 2" bolt the other end of the chain is attached to using a 3/8" fenderwasher, 3/8" lockwasher, and a 3/8" nut.

### STEP # 7

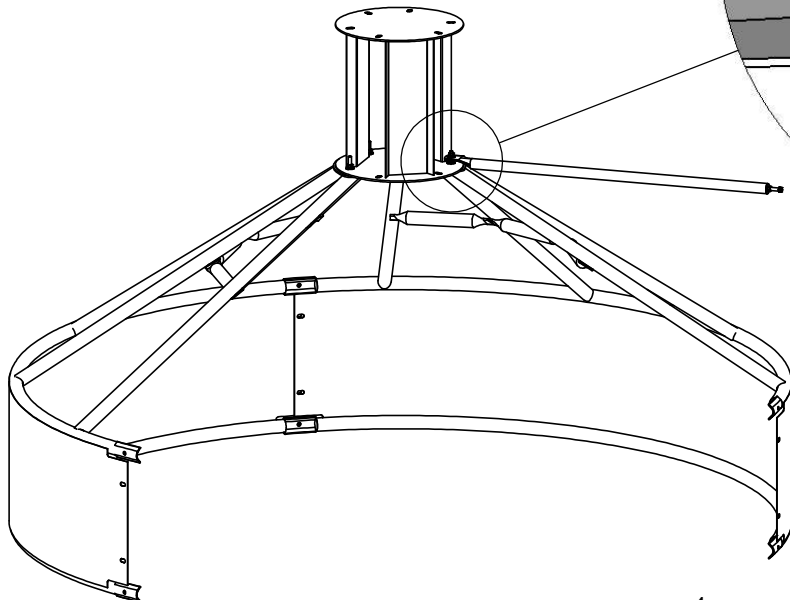
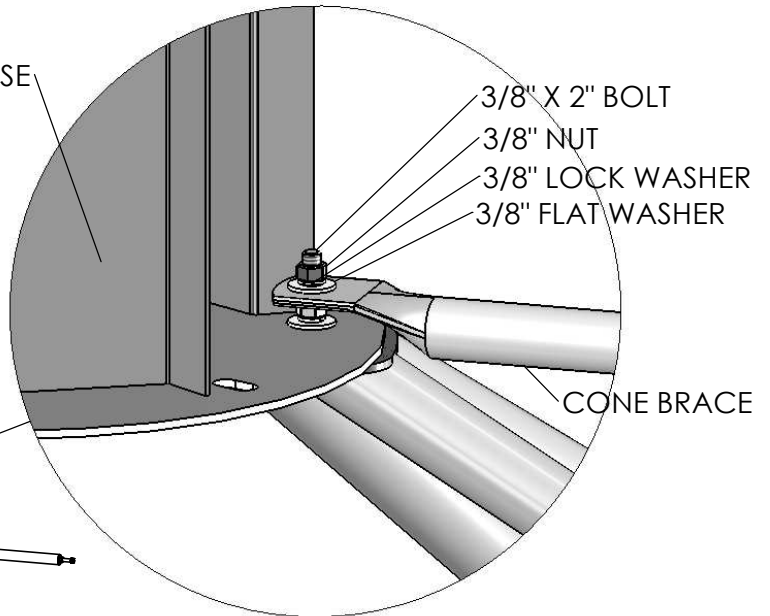
Inspect all bolted connections of the entire assembly to ensure all nuts and bolts are properly aligned and tight.

# BASE & SECTION ASSEMBLY



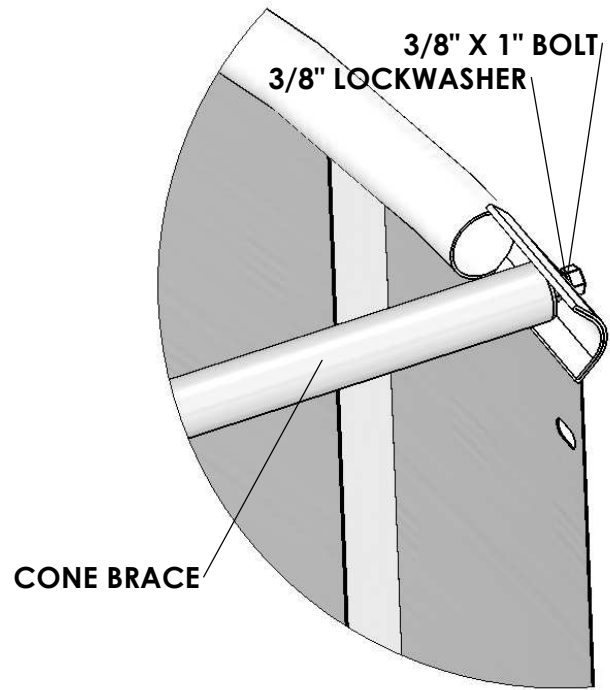
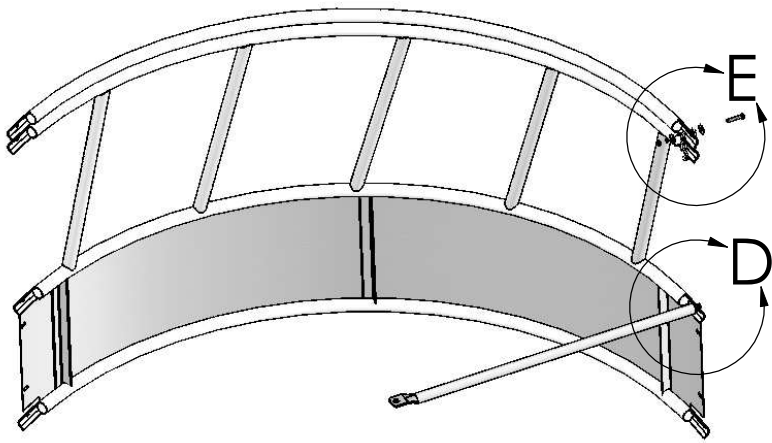
DETAIL C  
SCALE 1 : 4

CONE BASE



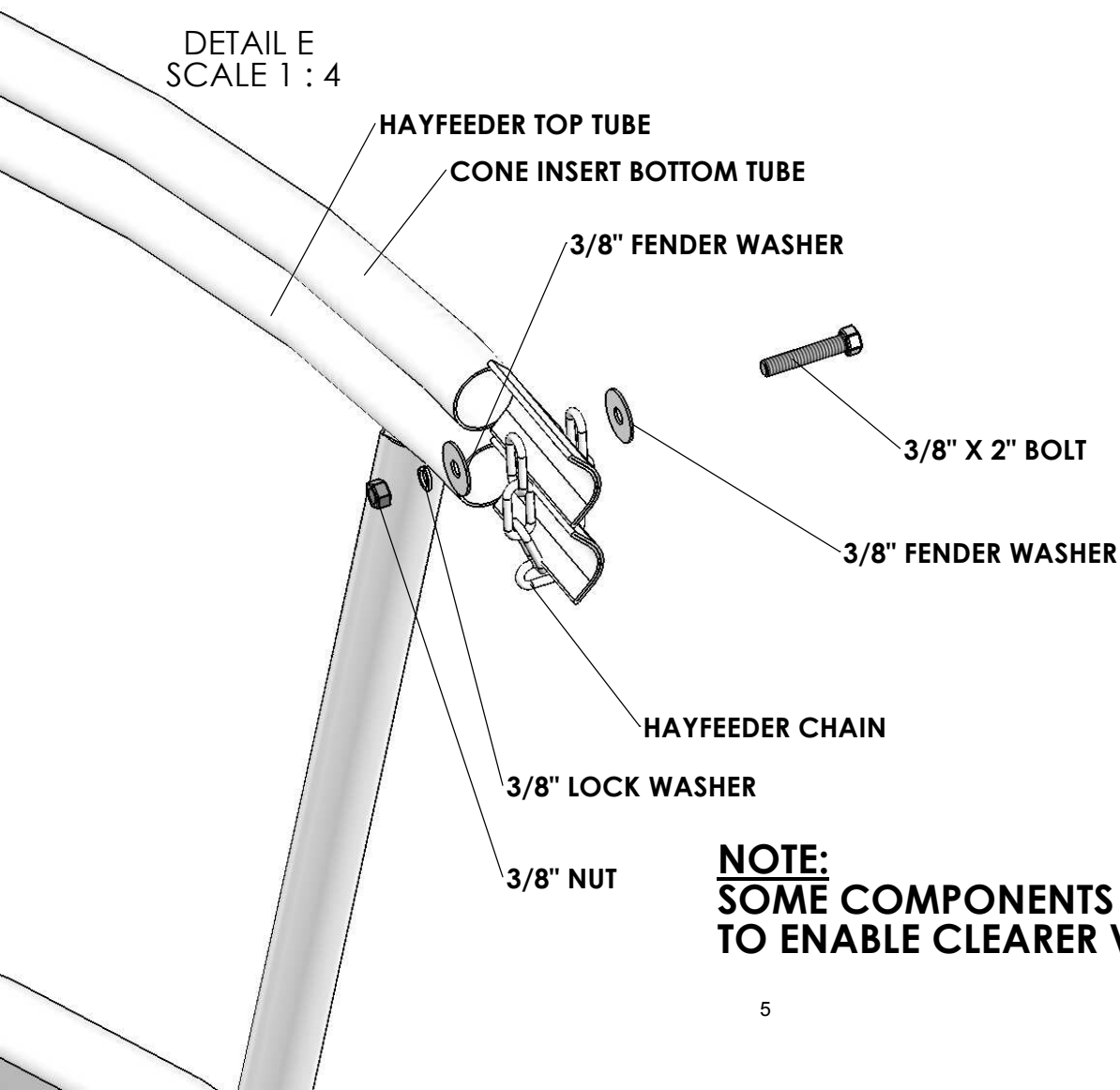
**NOTE:**  
SOME COMPONENTS NOT SHOWN  
TO ENABLE CLEARER VIEW OF ASSEMBLY

# BRACE TUBE & CHAIN ASSEMBLY



DETAIL E  
SCALE 1 : 4

DETAIL D  
SCALE 1 : 4



**NOTE:**  
**SOME COMPONENTS NOT SHOWN**  
**TO ENABLE CLEARER VIEW OF ASSEMBLY.**

Sioux Steel Co.  
 196 1/2 East 6th Street  
 P.O. Box 1265  
 Sioux Falls, SD 57101-1265



Phone: .....(800) 557-4689  
 (605) 336-1750  
 (605) 557-4689  
 Sales Fax: ....(605) 357-8597  
 Fax: .....(605) 336-2528

## NEW PRODUCT WARRANTY LIVESTOCK EQUIPMENT

LIMITED WARRANTY FOR NEW SIOUX STEEL COMPANY PRODUCTS		
<p><b>A. GENERAL PROVISIONS.</b> "Sioux Steel" means Sioux Steel Company, 196 1/2 East Sixth Street, Sioux Falls, South Dakota 57104. The warranties described below are provided by Sioux Steel to the original purchasers of new products purchased from Sioux Steel or from an authorized Sioux Steel Dealer (the "Products"). Under these warranties, Sioux Steel will, at its option, repair or replace at its factory any Product covered under these warranties which is found to be defective in material and workmanship during the applicable warranty term or refund the purchase price paid for the defective Product. Customer will be responsible for labor charges for removing the defective Product and reinstalling the repaired or replacement Product, any premium charge for overtime labor requested of Sioux Steel and shipping charges to and from Sioux Steel's factory. These warranties are not transferrable.</p>		
<p><b>B. WARRANTY PERIOD.</b> Subject to exclusions and limitations set forth herein, each new Product is warranted for the number of years specified below. Each warranty term begins from the date of purchase regardless of delay in receipt of the Product by Customer due to the time required to process, handle, ship, assemble, construct and install the Product. Customer must retain proof of the date of purchase. Replacement parts for and repairs to the Product will be warranted only for the remainder of the original warranty term. The replacement parts for or repairs to the Product will not extend the warranty term beyond the original warranty term. Products described below include all parts, components and accessories.</p>		
LIVESTOCK EQUIPMENT		
2" tubular 16 gauge steel construction livestock gates labeled through the Company's "Guarantee Gate Program"		Lifetime
All Poly Products		2 years
Post Puller/Pounder	Consumer Use	1 Year
	Commercial or Government Use	6 Months
All Other Livestock Equipment, including Bulk Bins and all Livestock Gates that are not labeled through the "Guarantee Gate Program" as provided above		1 Year
<p>Exclusions specific to Livestock Equipment: Damage or loss of any kind from (1) storage of feed products that are not free-flowing or that have a density greater than 40 pounds per square foot; and (2) the storage of materials other than free-flowing livestock feed.</p>		
<p><b>C. ITEMS COVERED SEPARATELY.</b> The Sioux Steel warranties do not cover any parts, components or materials that are part of the Product, or used in conjunction with the Product, that are not manufactured by Sioux Steel. Such parts, components and materials will be subject to the warranties provided by the manufacturer, if any.</p>		
<p><b>D. WHAT IS NOT WARRANTED.</b> Sioux Steel does not warrant and is not responsible for the following: (1) used products; (2) modification or alteration of the Products; (3) Products that have not been properly installed or not installed in accordance with the instruction manual, improper assembly, or improper construction by any persons other than Sioux Steel employees; (4) depreciation, damage or loss caused by the use of parts, components or accessories not provided by Sioux Steel, unauthorized repairs, normal wear, lack of necessary and proper maintenance, a failure to follow operating instructions/recommendations, misuse, lack of proper protection during storage, vandalism or theft, exposure to the elements or corrosive materials, accidents or acts of nature including lightning, flooding, hail, straight winds and tornadoes; and (5) cosmetic damage or damage that does not hinder the functionality of the Products.</p>		
<p><b>E. LIMITATIONS OF WARRANTIES AND CUSTOMER'S REMEDIES.</b> To the extent permitted by law, neither Sioux Steel, the Dealer nor any person or company affiliated with either of them makes any warranties, representations, conditions or promises express or implied as to the quality, performance or freedom from defects of the Products covered by these warranties other than those set forth herein. THERE ARE NO IMPLIED WARRANTIES OF MERCHANTABILITY OR FITNESS FOR A PARTICULAR PURPOSE. NEITHER SIOUX STEEL, THE DEALER, NOR ANY PERSON OR COMPANY AFFILIATED WITH EITHER OF THEM WILL BE LIABLE FOR ANY DAMAGES, INCLUDING, BUT NOT LIMITED TO, INCIDENTAL, SPECIAL, EXEMPLARY, CONSEQUENTIAL, LOST PROFITS AND REVENUES, LOST USE OF THE PRODUCTS OR ANY OTHER PROPERTY, BODILY INJURY OR PROPERTY DAMAGE CLAIMS OF ANY PERSON, LOST COMMODITIES, REMOVAL OR STORAGE COSTS FOR THE PRODUCTS, OTHER EQUIPMENT AND COMMODITIES, DAMAGE TO THE ENVIRONMENT ARISING FROM OR IN ANY MANNER RELATED TO ANY RELEASE OF HAZARDOUS MATERIALS, AND REMEDIATION EXPENSES THEREFORE, WHETHER BASED ON CONTRACT, TORT, STRICT LIABILITY OR ANY OTHER LEGAL BASIS, EVEN IF ADVISED OF THE POSSIBILITY OF SUCH DAMAGES. IN NO INSTANCE WILL SIOUX STEEL, THE DEALER OR ANY PERSON OR COMPANY AFFILIATED WITH EITHER OF THEM BE LIABLE TO CUSTOMER OR ANY PERSON IN AN AMOUNT IN EXCESS OF THE PURCHASE PRICE PAID BY CUSTOMER FOR THE PRODUCT.</p>		
<p><b>F. NO DEALER WARRANTY.</b> THE DEALER HAS NO AUTHORITY TO MAKE ANY WARRANTY, REPRESENTATION, CONDITION OR PROMISE ON BEHALF OF SIOUX STEEL, OR TO MODIFY THE TERMS OR LIMITATIONS OF THIS WARRANTY IN ANY WAY.</p>		
<p><b>G. GOVERNING LAW/VENUE.</b> These warranties, and all terms set forth herein, are governed by the laws of the State of South Dakota and, where applicable, the laws of the United States of America. Any and all disputes arising from these warranties, the purchase and use of the Products, bodily injury and property damage claims or otherwise must be venued in the South Dakota Circuit Court sitting in Minnehaha County, South Dakota. Customer agrees to such venue and waives any challenge to such court's jurisdiction based upon lack of personal jurisdiction or inconvenience.</p>		
<p><b>H. SECURING WARRANTY SERVICE.</b> In order to receive warranty services, customer must give Sioux Steel written notice of a warranty claim within 30 days of the date of discovery of the defective materials or workmanship, and Customer must complete the following steps:</p>		
(1)	Obtain from Sioux Steel a Return Goods Authorization Number ("RGA Number") by calling the Customer Service Department at 1-800-557-4689, and providing the following information: <ul style="list-style-type: none"> <li>&gt; An explanation as to why the Product is being returned.</li> <li>&gt; The name of the territory representative, Dealer or Sioux Steel salesperson from whom the Product was purchased.</li> <li>&gt; The Dealer's identification number.</li> <li>&gt; The invoice number and date of purchase.</li> <li>&gt; Customer's name, phone number, fax number, mailing address and email address.</li> <li>&gt; The date that the Product will be returned.</li> </ul>	
(2)	Pay the shipping charges to ship the Product to Sioux Steel's factory, and the return shipping charges.	
(3)	Ship the Product to Sioux Steel at 196 1/2 East Sixth Street, Sioux Falls, South Dakota 57104.	