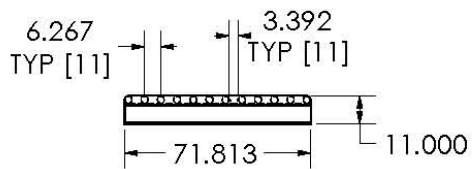
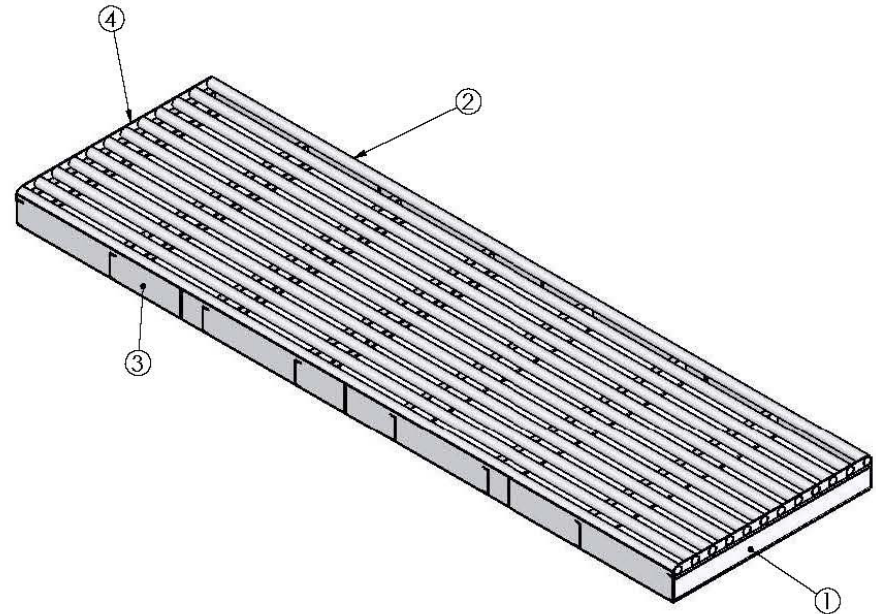
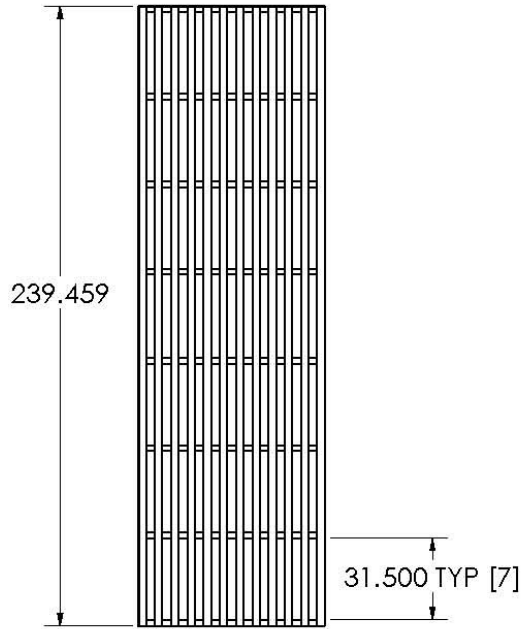


ITEM NO.	PART NUMBER	DESCRIPTION	QTY.
1	184680	CHANNEL - C8"x11.5#x71.81"	8
2	186625-20	TOP TUBE 2-7/8" - 20FT	12
3	184688-5	END CAP 5FT	8
4	184685	CATTLE GUARD END CAP	2



REV	ECO	DESCRIPTION	DATE	AUTH

TOLERANCES EXCEPT AS NOTED		<b>TITE GUARD</b>		196-1/2 E. 6TH ST. P.O. BOX 1265 SIOUX FALLS, SD 57101	
DECIMAL	±.031	DO NOT SCALE		SCALE	1:48
FRACTIONAL	±1/32	SHEET	1 OF 1	DRAWN BY S.J.F.	
ANGULAR	±.500°	TITLE		WEIGHT	QTY.
		20FT X 6FT CATTLE GUARD BOXED - 2-7/8"		2076.62	1
		DATE	DRAWING NUMBER	DWG SIZE	
		07/12/09	SCG20X6BDS	B	
				APPROVED BY	