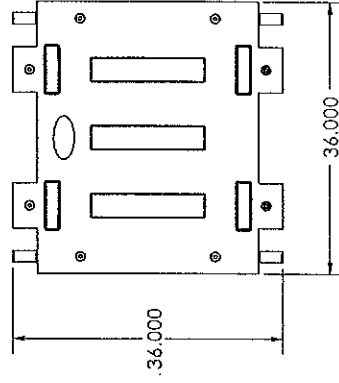
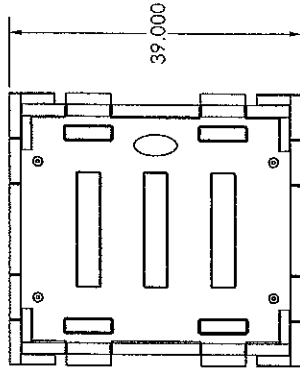
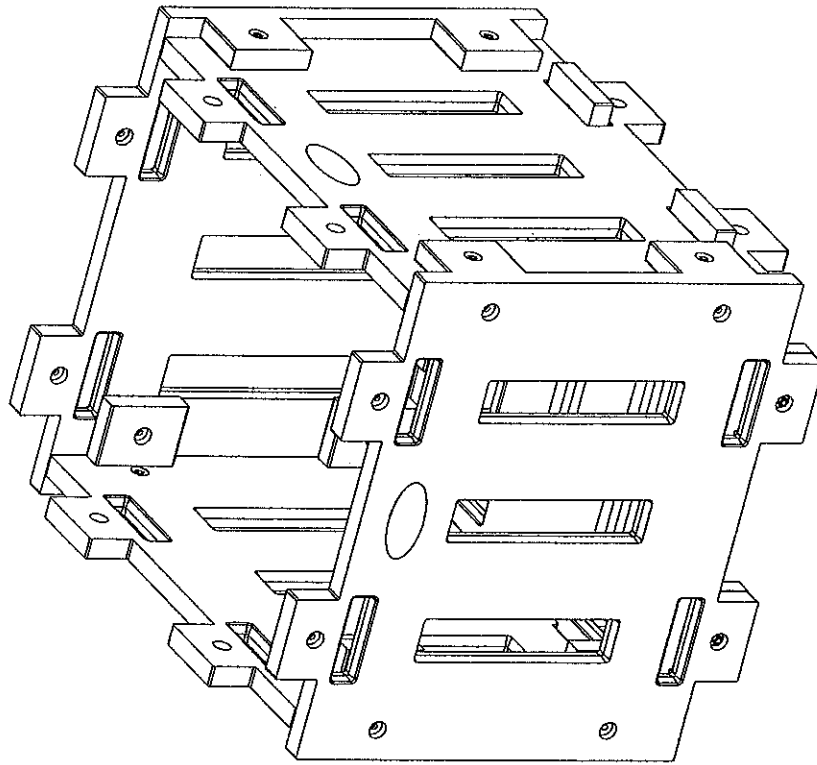


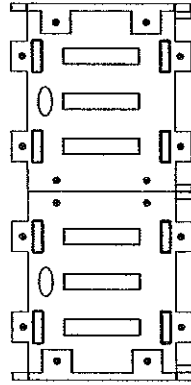
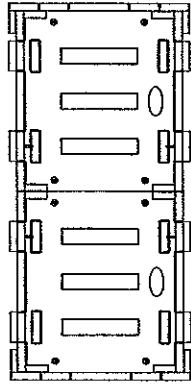
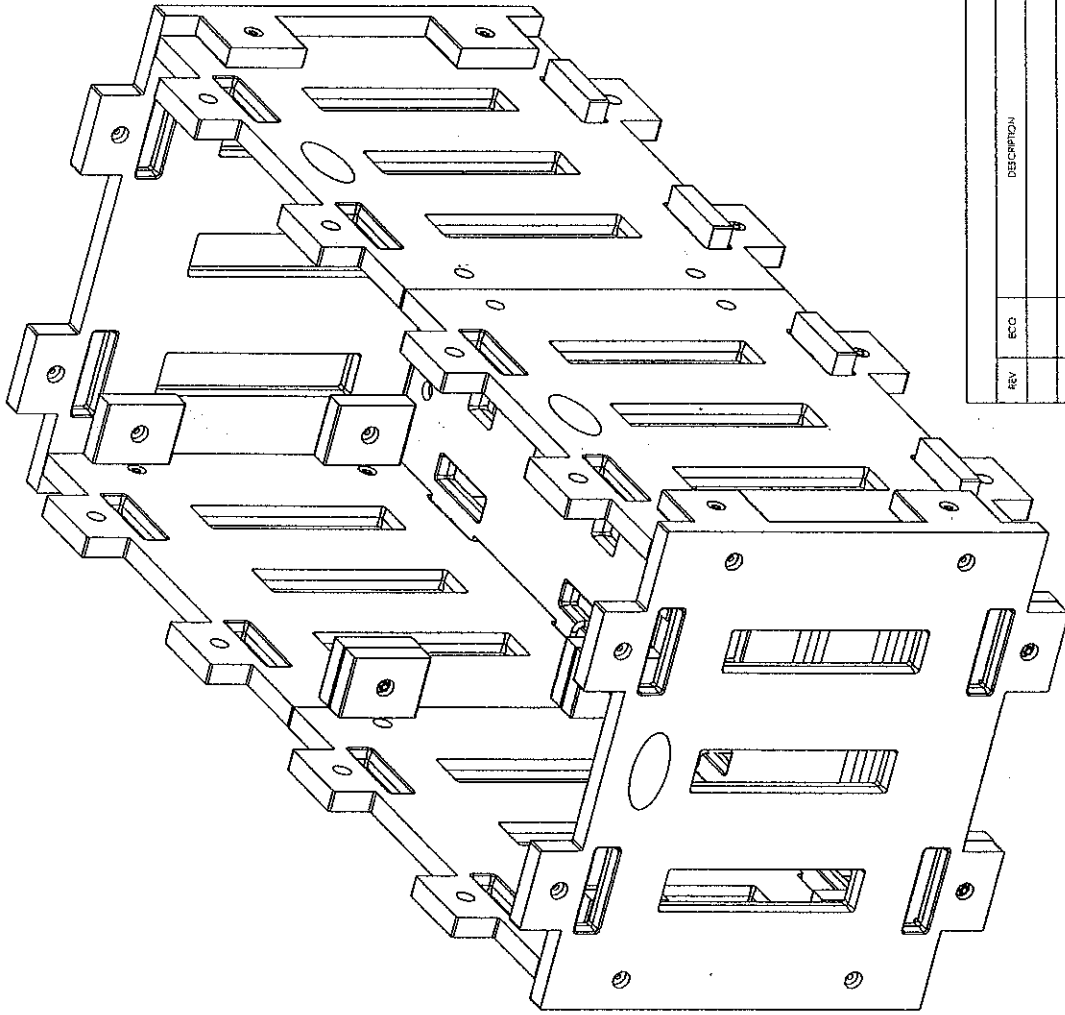
ITEM NO.	PART NUMBER	DESCRIPTION	QTY.
1	184934	TRANS FEEDER PANEL	5
2	bolt assy	3/8 X 2.5 BOLT ASSY	12



REV	ECO	DESCRIPTION	DATE	AUTH

SIoux STEEL CO.	184 1/2 E. 4th St. P.O. Box 1245 Sioux Falls, SD 57101
DO NOT SCALE	DRAWN BY: MRS
SHEET 1 OF 1	APPROVED BY:
SCALE 1:16	WEIGHT 512.03
TOLERANCES EXCEPT AS NOTED	QTY. 1
DECIMAL ±.031	TRANS FEEDER ASSEMBLY
FRACTIONAL ±1/32	1X1 WITH FLOOR
ANGULAR ±.500°	DATE 9/5/08
	DRAWING NUMBER 184934-1X1
	DWG SIZE B

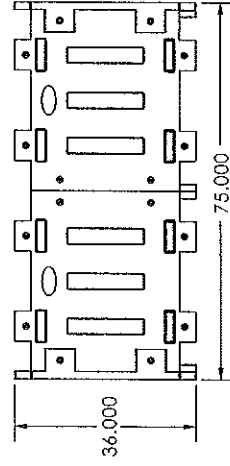
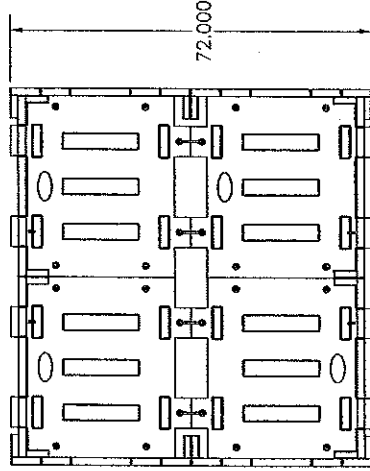
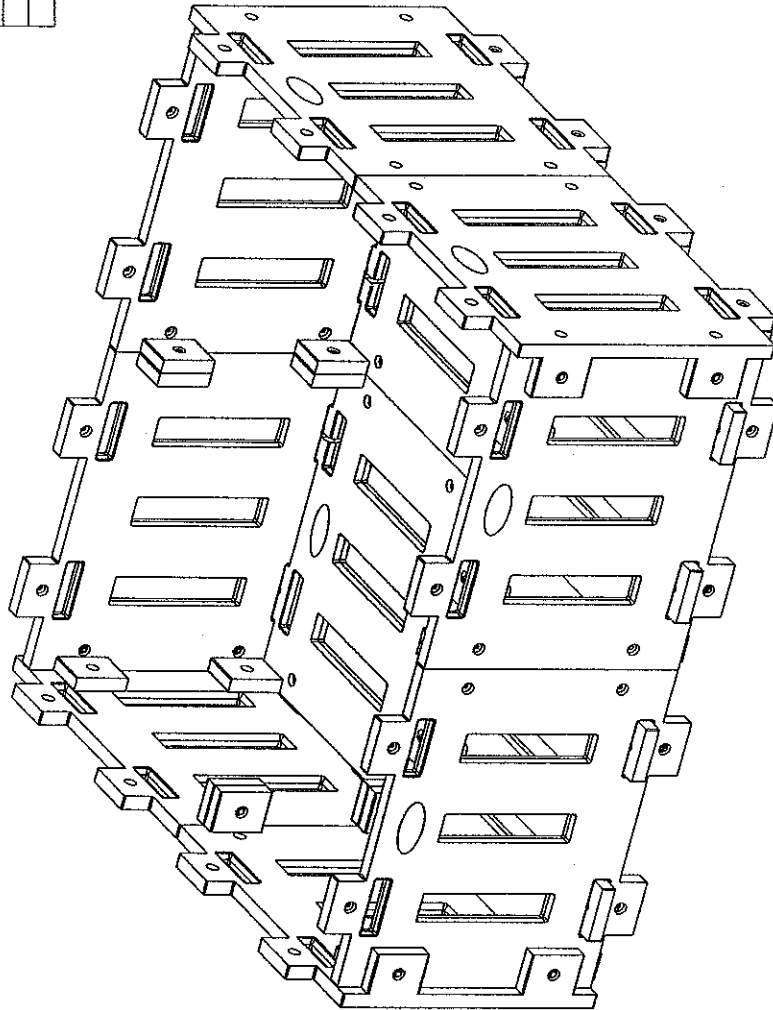
ITEM NO.	PART NUMBER	DESCRIPTION	QTY.
1	184934	TRANS FEEDER PANEL	8
2	bolit assy	3/8 X 2.5 BOLT ASSY	18
3	184926	3/8-16UNC x 3" J-BOLT	4
4	154050	NUT - 3/8-16UNC PUNCH LOCK GR5	4
5	154066	FLATWASHER - 3/8" WIDE SERIES	4



REV	ECO	DESCRIPTION	DATE	AUTH

TOLERANCES UNLESS OTHERWISE SPECIFIED	SIoux STEEL CO.		16-12 E. 9TH ST. CO. FALLS, SD 57011
DECIMAL ±.031	DO NOT SCALE	SCALE 1:24	DRAWN BY MRS
FRACTIONAL ±1/32	SHEET 1 OF 1	APPROVED BY	WEIGHT 820.26
ANGULAR ±.500°	TITLE TRANS FEEDER ASSEMBLY 1X2 WITH FLOOR	DATE 9/8/08	QTY. 1
	DRAWING NUMBER 184934-1x2		DWG. SIZE B

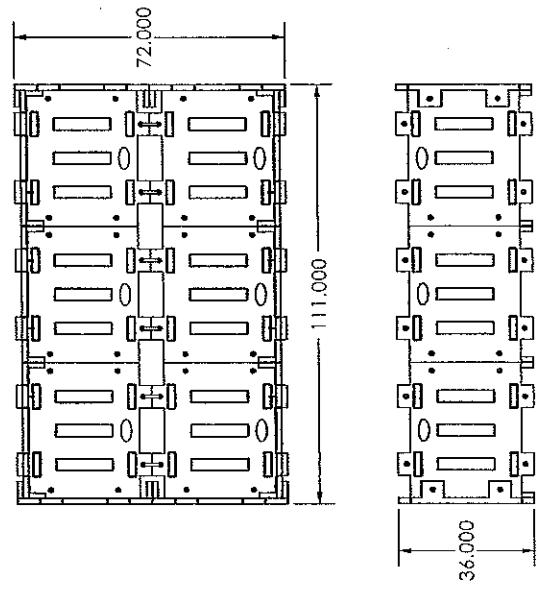
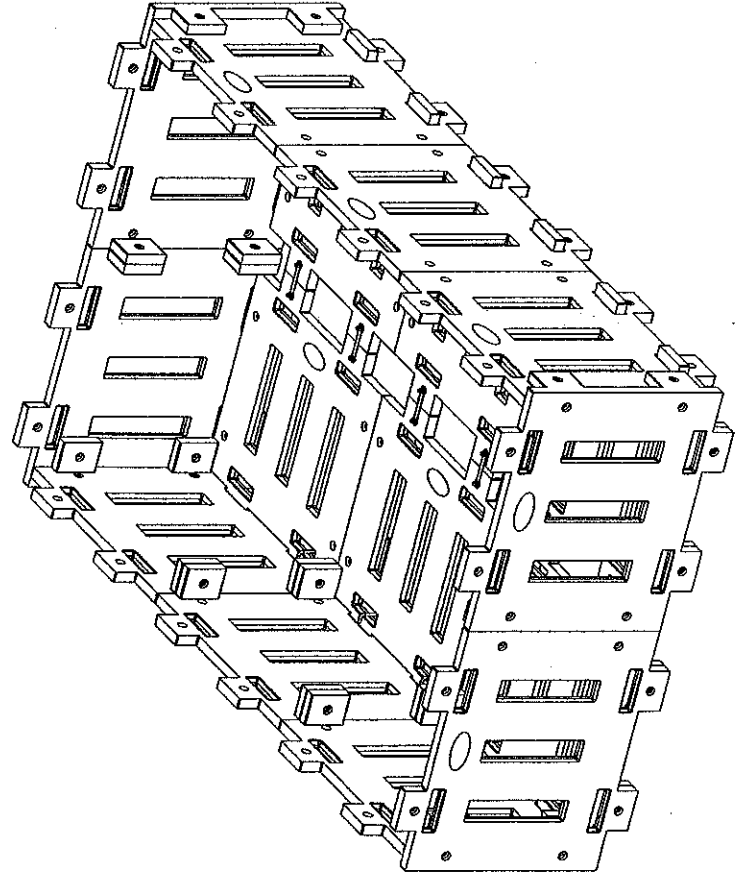
ITEM NO.	PART NUMBER	DESCRIPTION	QTY.
1	184934	TRANS FEEDER PANEL	12
2	bolt assy	3/8 X 2.5 BOLT ASSY	28
3	184927	3/8-16UNC X 4" X 3" SQ. U-BOLT	4
4	184926	3/8-16UNC X 3" J-BOLT	4
5	154050	NUT - 3/8-16UNC PUNCH LOCK GR5	4
6	154066	FLATWASHER - 3/8" WIDE SERIES	4



REV	ECO	DESCRIPTION	DATE	AUTH

SIoux STEEL CO.		195-112 E. 6th St. P.O. Box 1268 Sioux Falls, SD 57101	
DO NOT SCALE	SCALE	1:24	DRAWN BY MRS
DECIMAL	±.031	FRACTIONAL	± 1/32
DATE	9/5/08	DRAWING NUMBER	184934-2X2
ANGLE	±.500°	WEIGHT	1231.38
		QTY.	1
		DIVISION	B

ITEM NO.	PART NUMBER	DESCRIPTION	QTY.
1	184934	TRANS FEEDER PANEL	16
2	bolt assy	3/8 X 2.5 BOLT ASSY	36
3	184926	3/8-16UNC X 3" J-BOLT	8
4	154050	NUT - 3/8-16UNC PUNCH LOCK GR5	8
5	154066	FLATWASHER - 3/8" WIDE SERIES	8
6	184927	3/8-16UNC X 4.13" X 2.13" SQ. U-BOLT	6



REV	ECD	DESCRIPTION	DATE	AUTH

TOLERANCES UNLESS AS NOTED	SIoux STEEL CO. DO NOT SCALE	184934-2X3 1:32	184934-2X3 1:32
DECIMAL $\pm .031$	FRACTIONAL $\pm 1/32$	TITLE TRANS FEEDER ASSEMBLY 2X3 WITH FLOOR	WEIGHT 1642.74
FRACTIONAL $\pm 1/32$	DATE 9/8/08	DRAFTING NUMBER 184934-2X3	QTY. 1
ASSEMBLY $\pm .500^{\circ}$	APPROVED BY MRS	DIVISION B	APPROVED BY MRS

184934-2X3
 P.O. BOX 1245
 SIOUX FALLS, SD 57101
 DRAWN BY MRS
 APPROVED BY